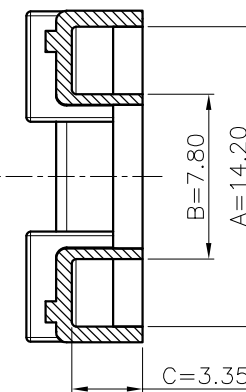
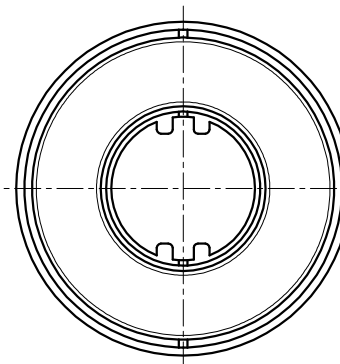
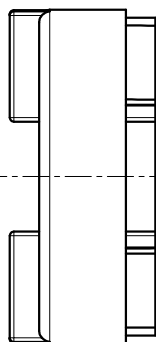
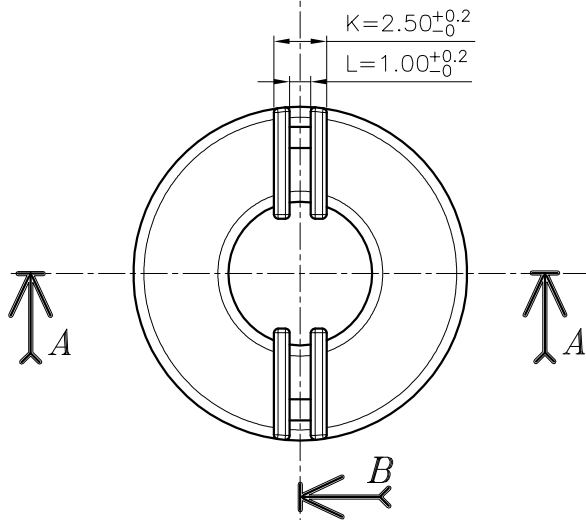
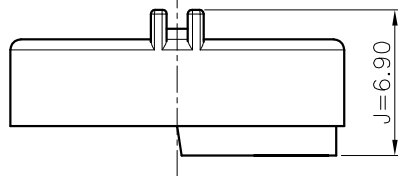


Isometric view

SECTION A-A



SECTION B-B



MARK	REVISION NOTE			DATE	DRAWN	CHECKED	APPROVED
	DRAWN	CHECKED	APPROVED	MATERIAL : P.B.T	UL REC. : UL94V-0	THIRD ANGLE PROJ.	SCALE : 1/1
	Dae Soo, Kim	Hyoung Seok, Lee	Chul, Park	DATE : 2010.08.20	TOLERANCE : ±0.2 (Unless otherwise specified)		UNIT : m/m
주식회사 대흥보빈 DAE HEUNG BOBBIN CO., LTD				TITLE OR Ø14 COVER		DWG NO DH-100909-6212-00	